



SCHLEIFENBAUER PDU Brackets

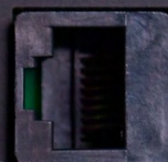
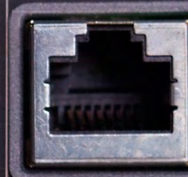


SCHLEIFENBAUER

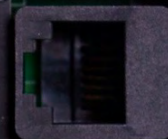
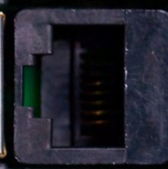
lnk



pwr



data bus



sensor

rst



Vertical or Horizontal PDUs

Versatile Mounting Brackets for Any Rack Configuration

Whether you need vertical (0U) or horizontal 19" PDU mounting, Schleifenbauer offers a wide range of bracket solutions to fit your rack layout. Vertical mounting is ideal for saving space within the rack, while horizontal mounting is commonly used in smaller installations or when front-facing access is required.

This catalogue includes several examples that demonstrate our flexible approach. If your project requires a configuration not shown here, our team is ready to help. We can quickly provide bracket solutions tailored to your requirements and cabinet specifications—ensuring a seamless and space-efficient integration of your PDU.



Standard Mounting

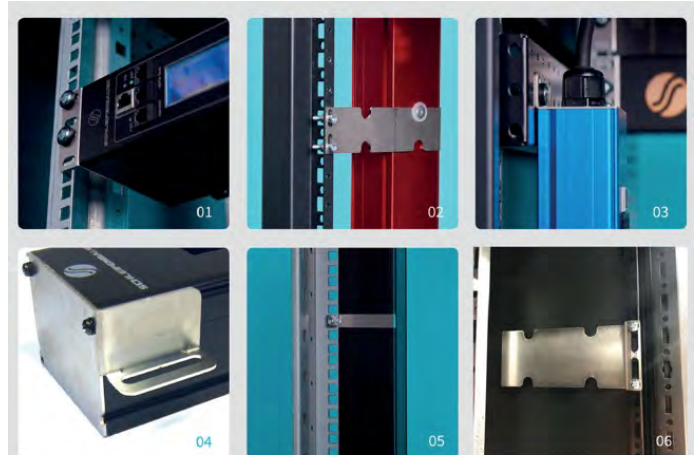
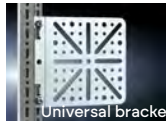
Expert Mounting Solutions for Seamless PDU Installation

Precise PDU installation requires specific expertise—and Schleifenbauer has it in-house. We offer a broad range of mounting options compatible with virtually any server cabinet, regardless of brand or type.

Whether you prefer traditional mounting brackets or a toolless installation method, we're ready to support you. Simply share your preferred approach, and our team will work closely with you to ensure a flawless integration.

SPECIFICATIONS:

- . Independent of server rack manufacturer
- . Independent of type of server rack
- . "Toolless mount" option
- . Option for custom mounting



Options

1. Horizontal 19 inches
2. Toolless mount
3. Table mount
4. Recessed
5. Profile clamps
6. Toolless mount 90 degree angle

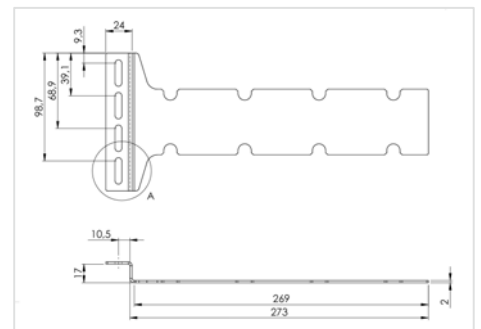
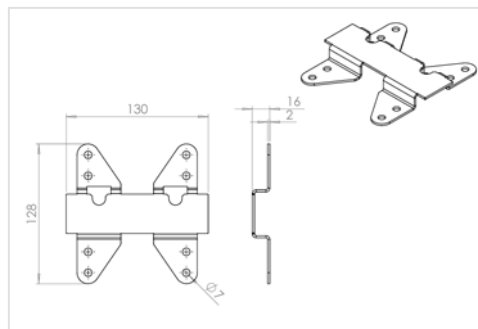
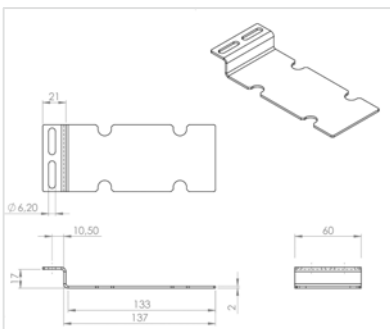
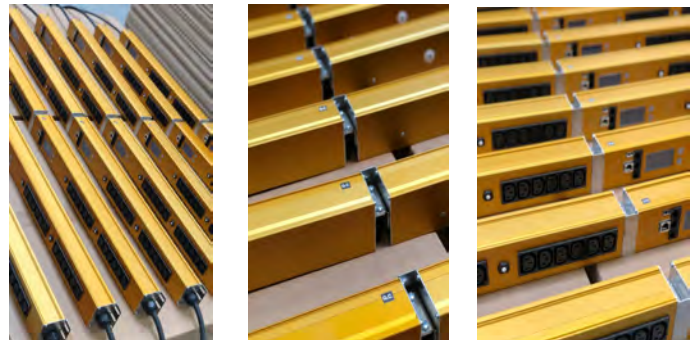
Custom-made mounting brackets

The Right Bracket for Every Situation

Schleifenbauer offers a suitable mounting bracket for nearly every scenario. If the ideal solution isn't listed, we'll work with you to develop a bracket that meets your specific requirements. Together, we'll find the most efficient and space-saving option for your server rack.

We also offer coupling brackets to securely connect two PDUs into a single, stable unit.

For any project or question, our sales team is ready to assist you.



Custom PDU bracket

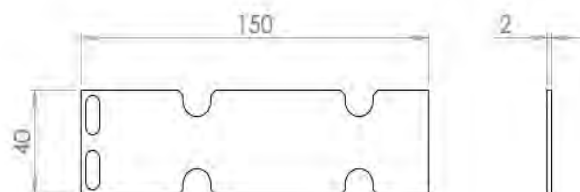
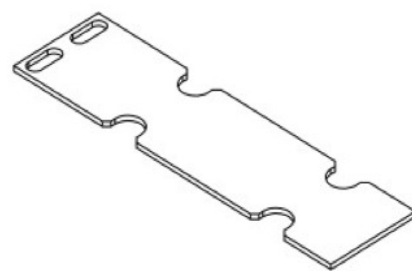
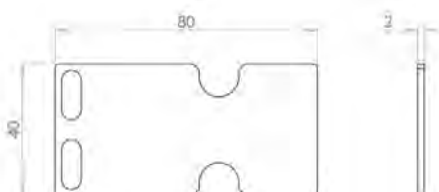
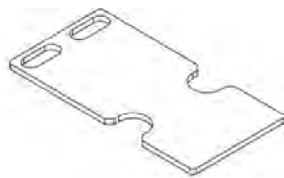
Bracket type for toolless mount



Description:
Toolless mount bracket straight for 1 PDU
Item code: 123870



Description:
Toolless mount bracket straight for 2 PDU's
Item code: 123827



Custom PDU bracket

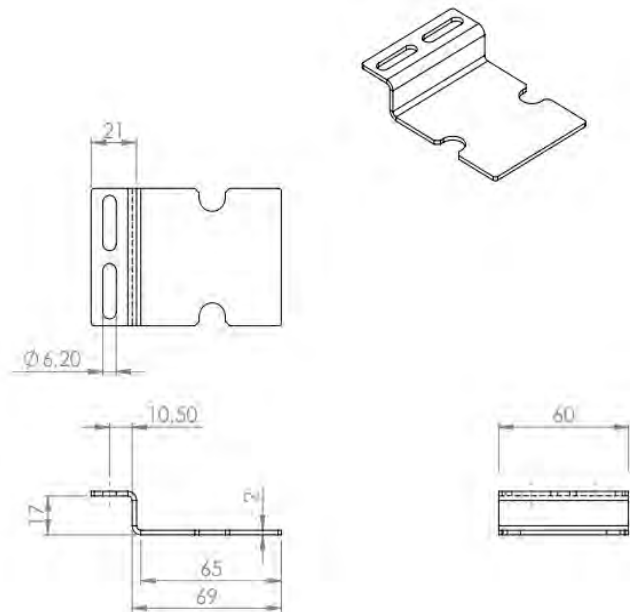
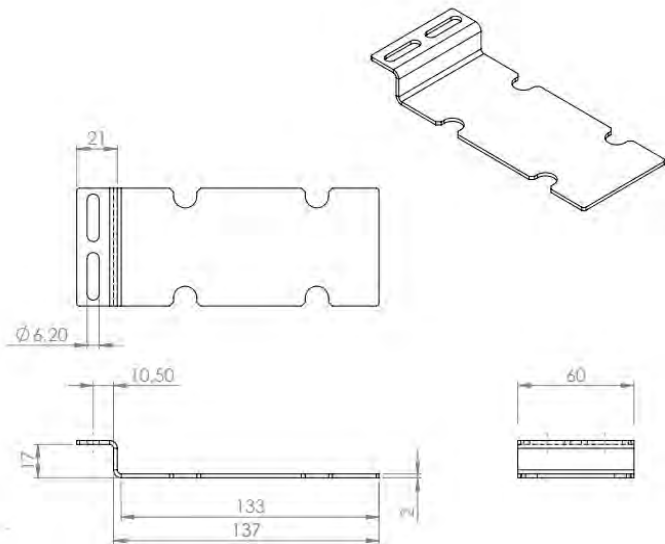
Bracket type for toolless mount



Description:
Toolless Mount bracket Nexpan/VX IT (2xPDU)
Item code: 124302



Description:
Toolless Mount bracket Nexpan/VX IT (1xPDU)
Item code: 124582



Custom PDU bracket

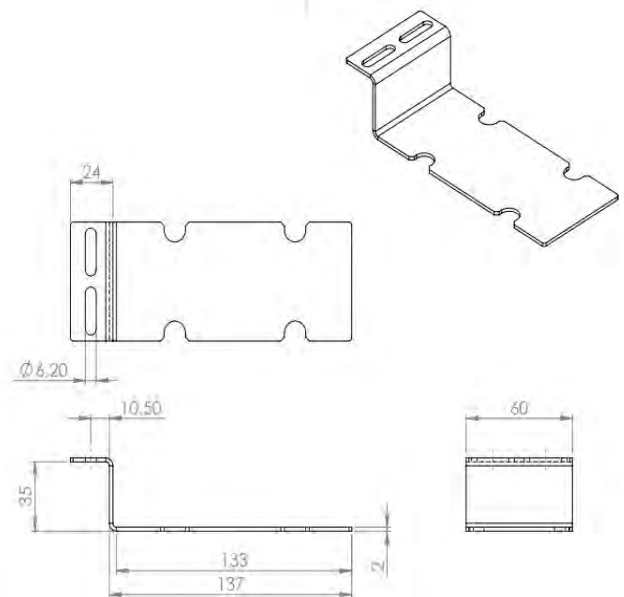
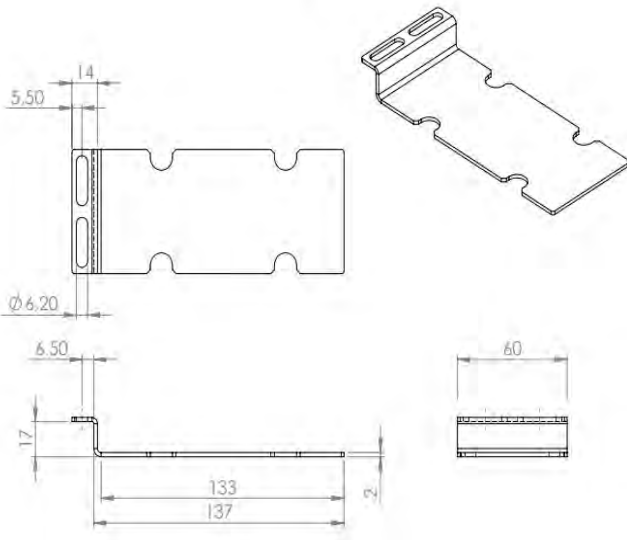
Bracket type for toolless mount



Description:
Bracket toollessmount deepened 2 PDU's (Rittal TS8)
Item code: 124538



Description:
Bracket toolless mount dubble 90° extend (2 PDU's)
Item code: 124527

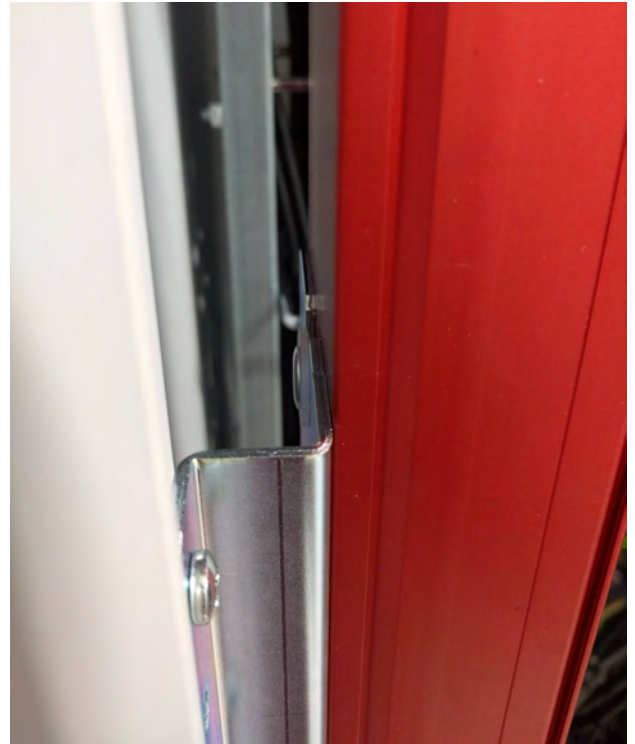
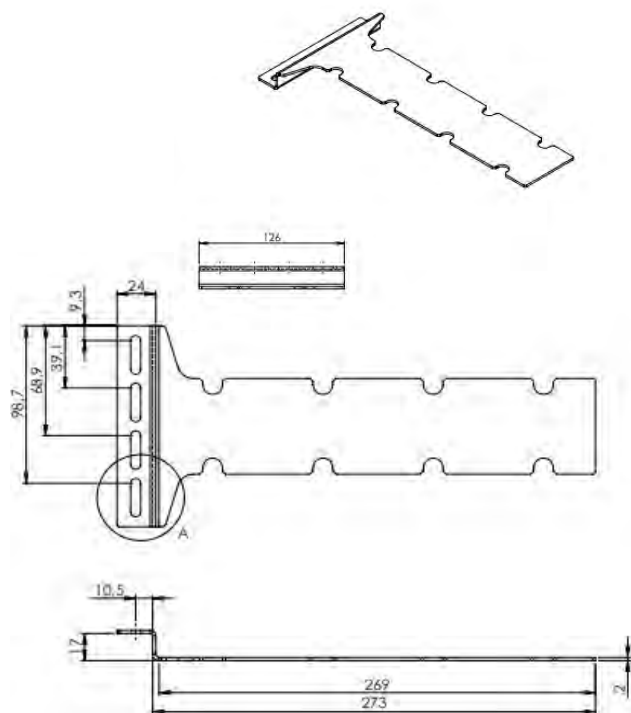


Custom PDU bracket

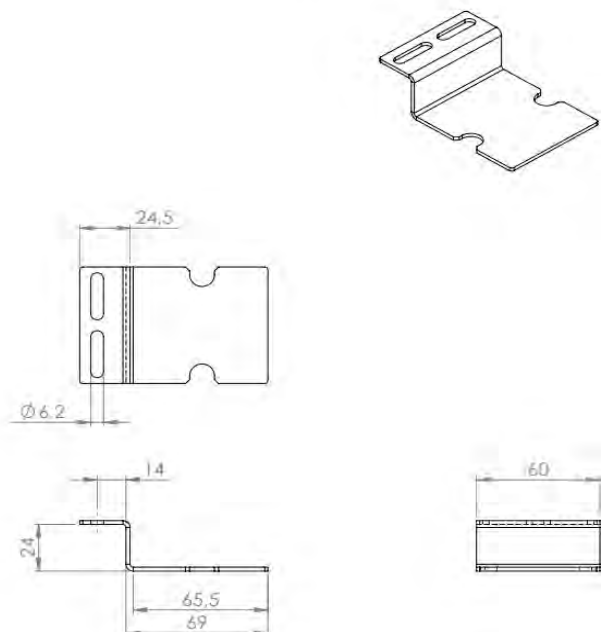
Bracket type for toolless mount



Description:
Bracket toolless mount double 90° 4 PDU's
Item code: 124575



Description:
Toolless Mount bracket Panduit FlexFusion(1xPDU)
Item code: 124608

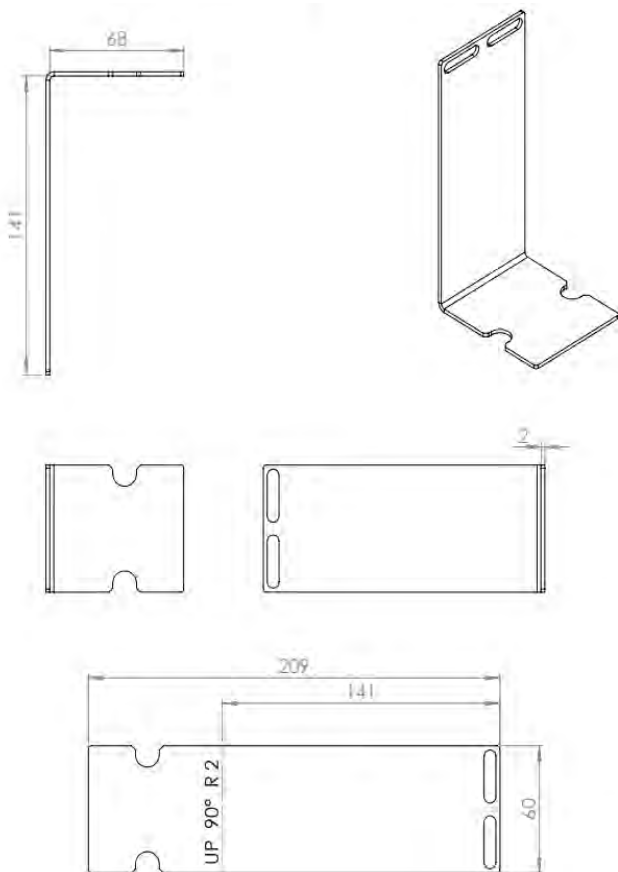


Custom PDU bracket

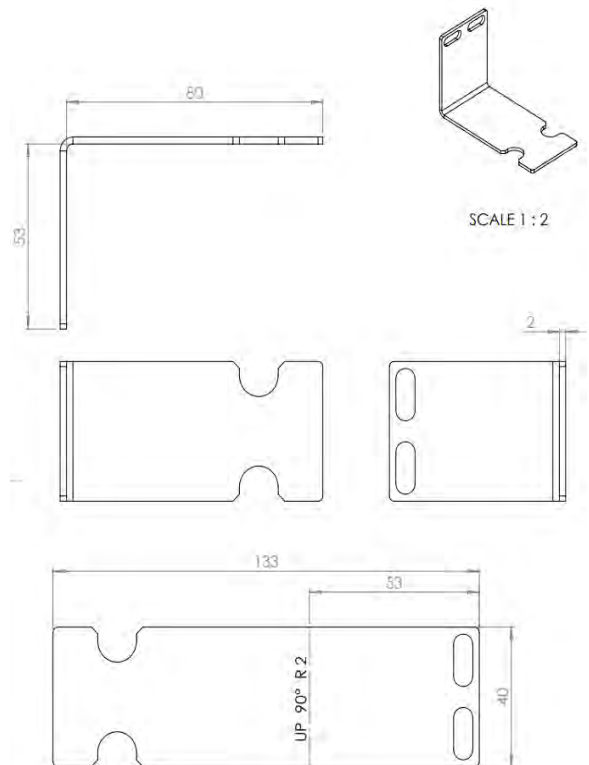
Bracket type for toolless mount



Description:
Toolless mount bracket angled 141 mm
Item code: 124454



Description:
Toolless mount bracket angled 53 mm
Item code: 124476



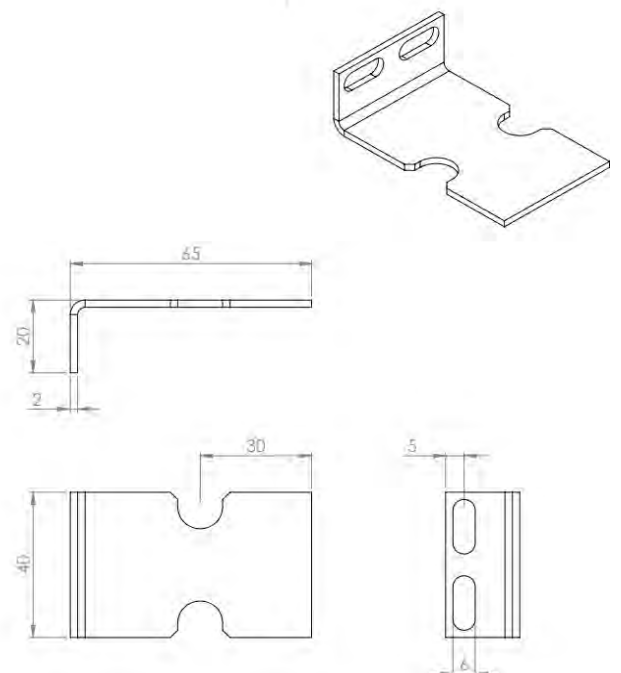
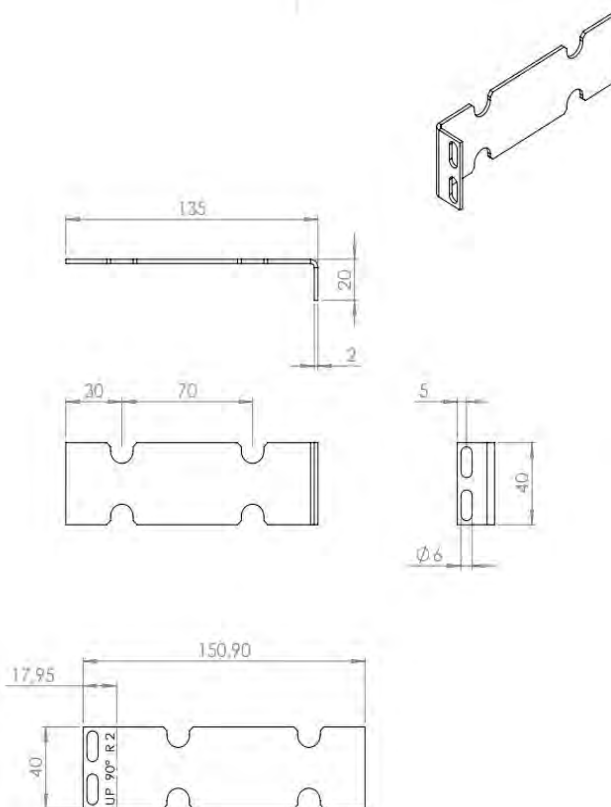
Custom PDU bracket

Bracket type for toolless mount



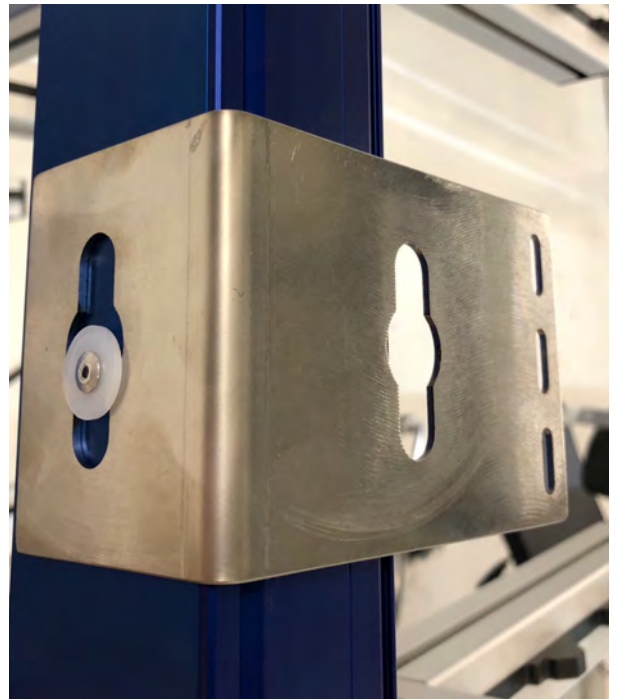
Description:
Toolless mount bracket angled 2 PDUs
Item code: 124497

Description:
Toolless mount bracket angled 1 PDU
Item code: 124584



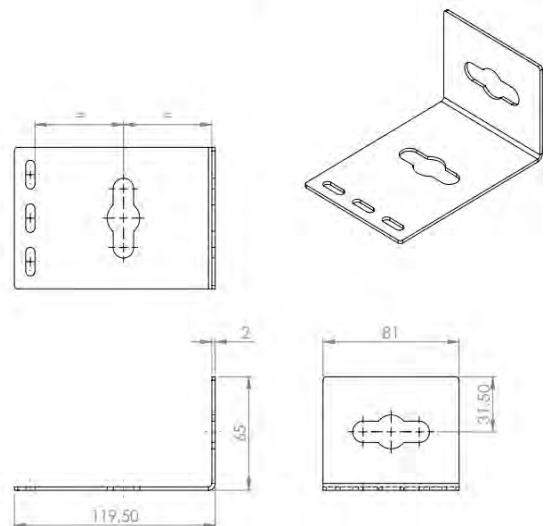
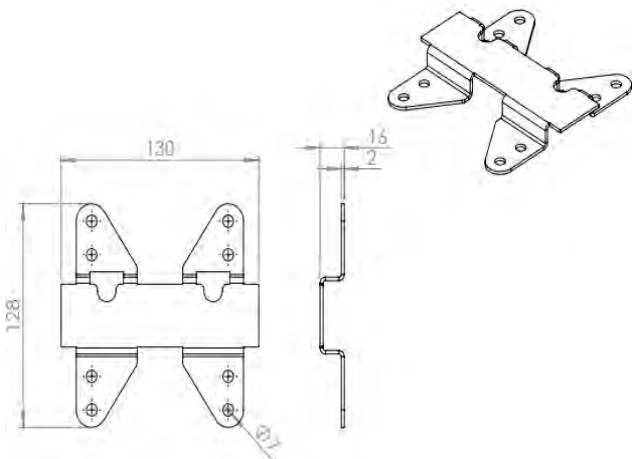
Custom PDU bracket

Bracket type for toolless mount



Description:
Toolless mount APC rack (2 PDU's)
Item code: 124485

Description:
Toolless mount bracket elongated hole
Item code: 124511

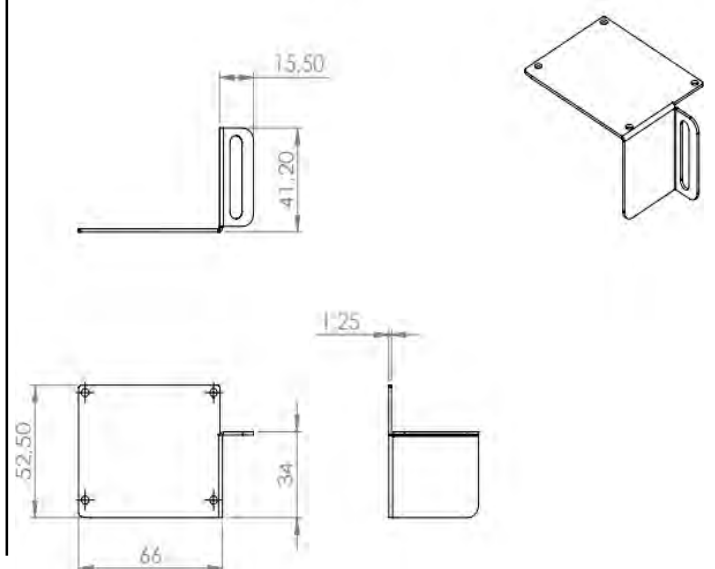
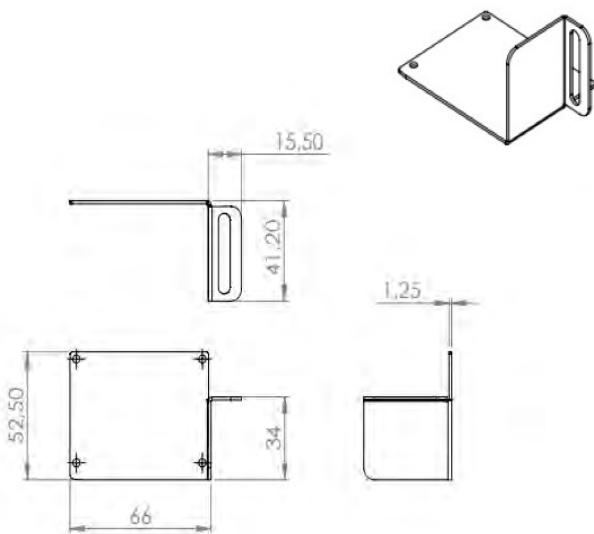


Custom PDU bracket



Description:
Rittal TS8 bracket left top + right bottom
Item code: 124330

Description:
Rittal TS8 bracket right top + left bottom
Item code: 124330

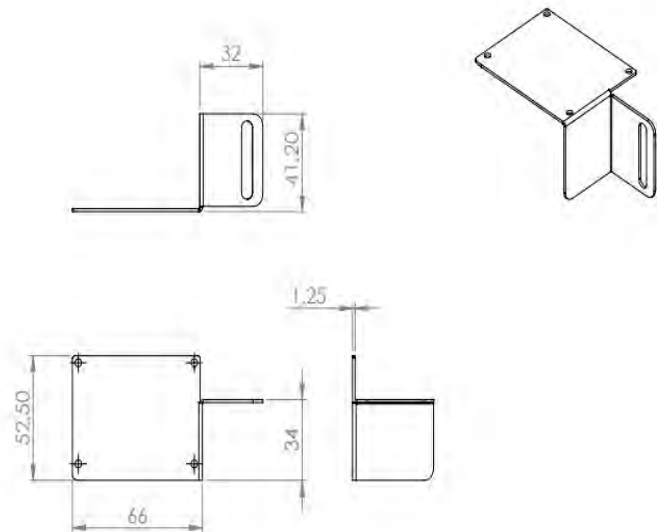
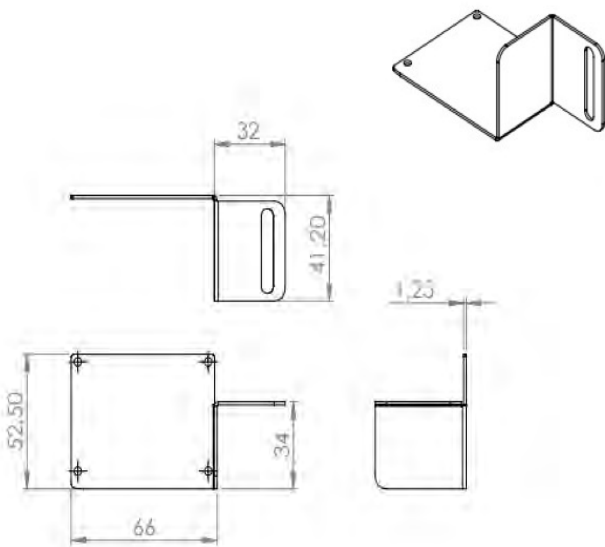


Custom PDU bracket



Description:
Rittal TS8 bracket left top + right bottom extended
Item code: 124444

Description:
Rittal TS8 bracket right top + left bottom extended
Item code: 124445

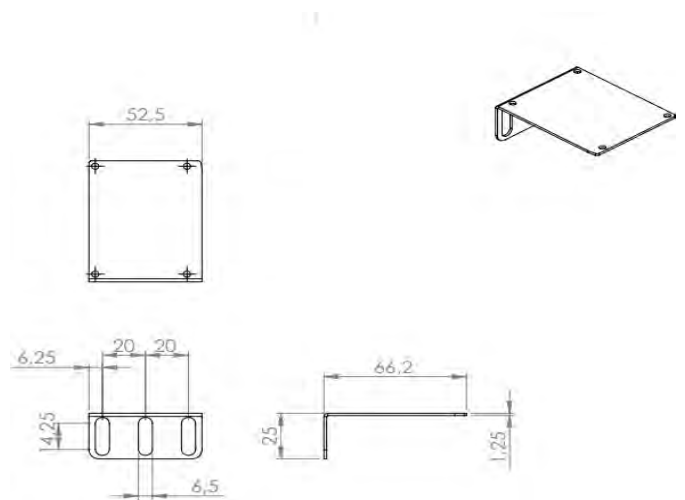
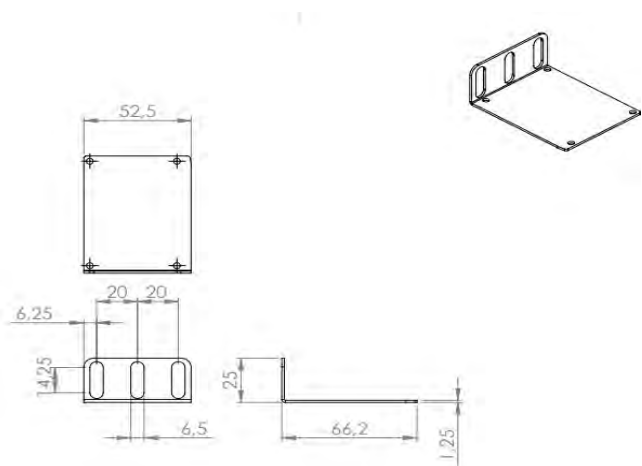


Custom PDU bracket



Description:
Eindschot table mount 90° top left + bottom right
Item code: 124544

Description:
Side cover table mount 90° left bottom + right top
Item code: 124546



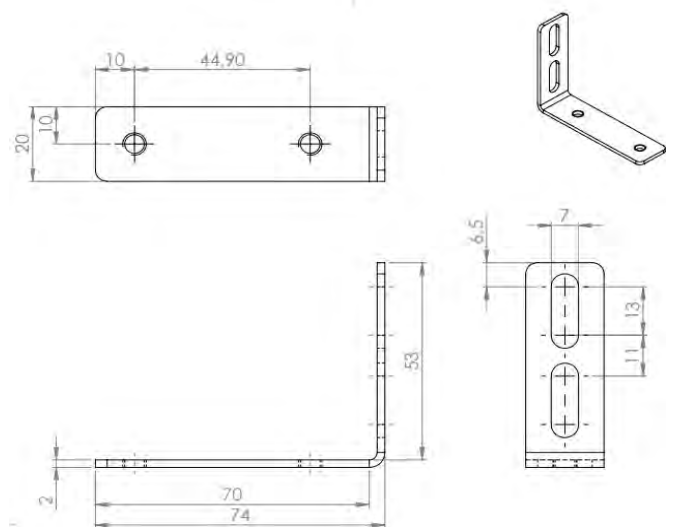
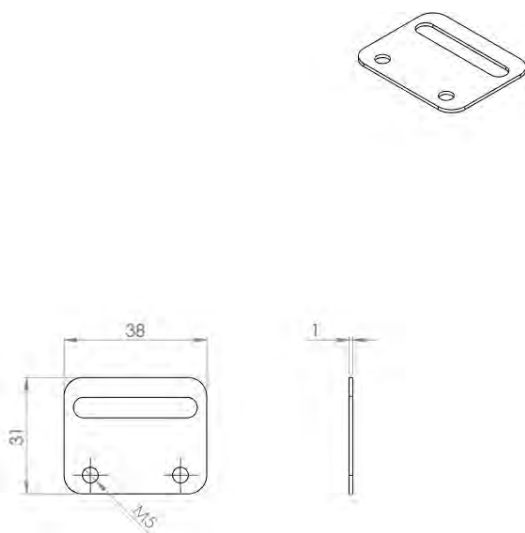
Custom PDU bracket



Bracket that can be bolted onto a PDU with tablemount brackets, which then rotates the PDU 90°

Description:
Spacer bracket
Item code: 123782

Description:
Bracket for table mount 90° orientation
Item code: 124524

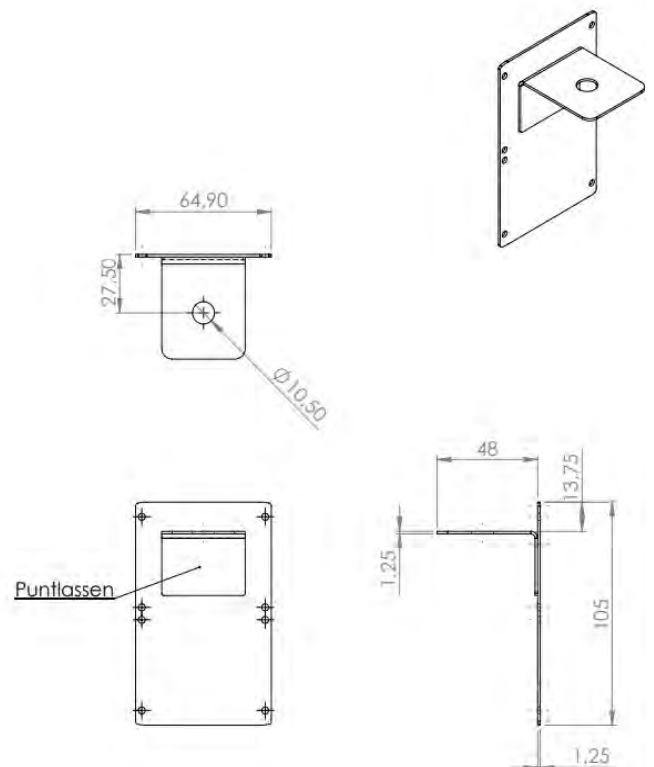
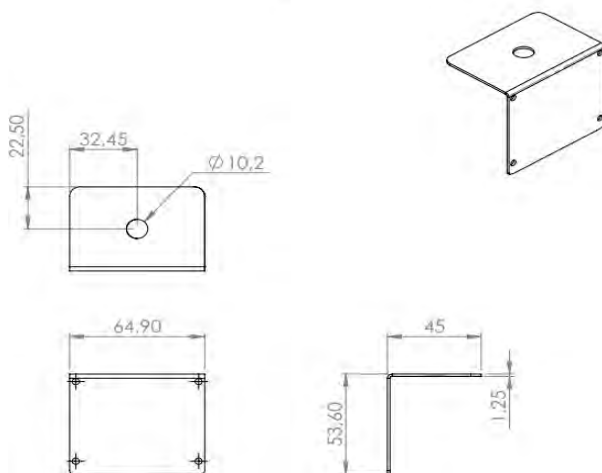


Custom PDU bracket

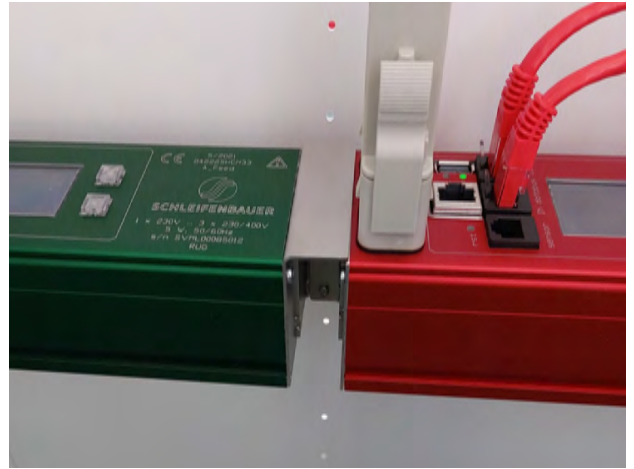


Description:
Side cover installation frame (single)
Item code: 124552

Description:
Side cover installation frame(dubbel)
Item code: 124553

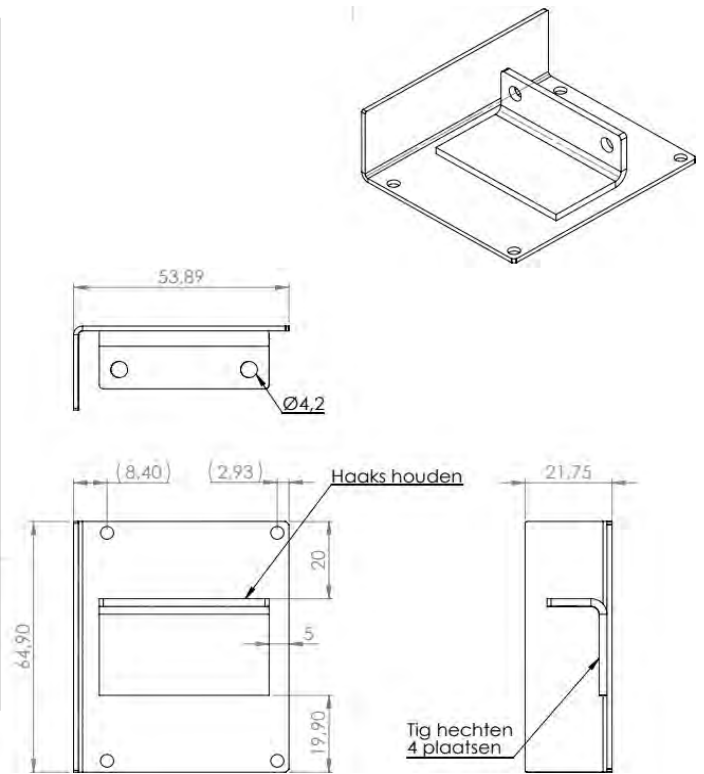
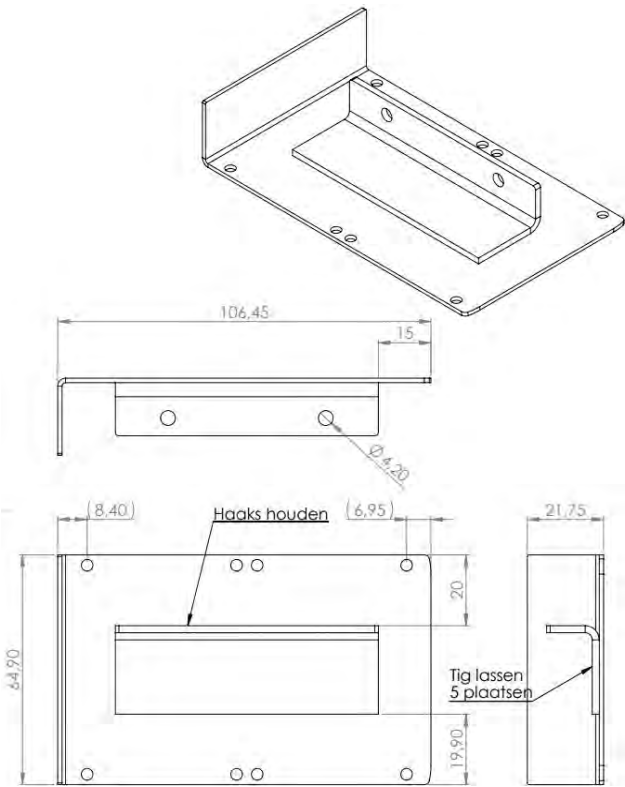


Custom PDU bracket



Description:
 Half 19 inch torque bracket left (dubble profile)
 Item code: 124557

Description:
 Half 19 inch torque bracket left (single profile)
 Item code: 124559

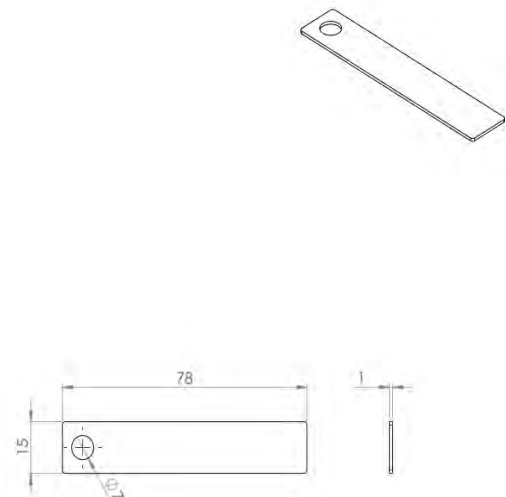
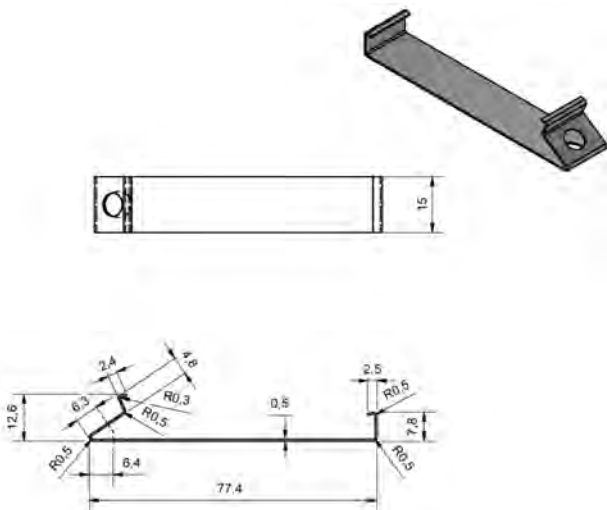


Custom PDU bracket



Description:
SS mounting brackets for vertical mounting
Item code: 123839

Description:
Flat stainless steel washer for mounting bracket
Item code: 123645



RACK UNIT CALCULATOR

What is a Rack Unit (U)?

A Rack Unit (U) is the standard height measurement for rack-mounted equipment. 1U = 1.75 inches (44.45 mm).

Devices like servers, switches, and PDUs are sized in U (e.g., 1U, 2U).

Most server racks are 42U tall, though other sizes exist. Rack units help standardise mounting and simplify space planning in data centres.



Rack Units	Height (in)	Height (ft)	Height (cm)
1U	1.75"	0.15'	4.4 cm
2U	3.5"	0.29'	8.9 cm
3U	5.25"	0.44'	13.3 cm
4U	7"	0.58'	17.8 cm
5U	8.75"	0.73'	22.2 cm
6U	10.5"	0.88'	26.7 cm
7U	12.25"	1.02'	31.1 cm
8U	14"	1.17'	35.6 cm
9U	15.75"	1.31'	40 cm
10U	17.5"	1.46'	44.5 cm
11U	19.25"	1.6'	48.9 cm
12U	21"	1.75'	53.3 cm
13U	22.75"	1.9'	57.8 cm
14U	24.5"	2.04'	62.2 cm
15U	26.25"	2.19'	66.7 cm
16U	28"	2.33'	71.1 cm
17U	29.75"	2.48'	75.6 cm
18U	31.5"	2.63'	80 cm
19U	33.25"	2.77'	84.5 cm
20U	35"	2.92'	88.9 cm
21U	36.75"	3.06'	93.3 cm
22U	38.5"	3.21'	97.8 cm
23U	40.25"	3.35'	102.2 cm
24U	42"	3.5'	106.7 cm
25U	43.75"	3.65'	111.1 cm
26U	45.5"	3.79'	115.6 cm
27U	47.25"	3.94'	120 cm
28U	49"	4.08'	124.5 cm
29U	50.75"	4.23'	128.9 cm
30U	52.5"	4.38'	133.4 cm
31U	54.25"	4.52'	137.8 cm
32U	56"	4.67'	142.2 cm
33U	57.75"	4.81'	146.7 cm
34U	59.5"	4.96'	151.1 cm
35U	61.25"	5.1'	155.6 cm
36U	63"	5.25'	160 cm
37U	64.75"	5.4'	164.5 cm
38U	66.5"	5.54'	168.9 cm
39U	68.25"	5.69'	173.4 cm
40U	70"	5.83'	177.8 cm
41U	71.75"	5.98'	182.2 cm
42U	73.5"	6.13'	186.7 cm
43U	75.25"	6.27'	191.1 cm
44U	77"	6.42'	195.6 cm
45U	78.75"	6.56'	200 cm
46U	80.5"	6.71'	204.5 cm
47U	82.25"	6.85'	208.9 cm
48U	84"	7'	213.4 cm
Rack Units	Height (in)	Height (ft)	Height (cm)

SALES TEAM



Jos Janssen
Sales Director



Stuart Edmonds
Sales Manager UK & Ireland



Frédéric Sys
Sales Manager Benelux



Amanda Wagenaar
Account Manager BeNeLux



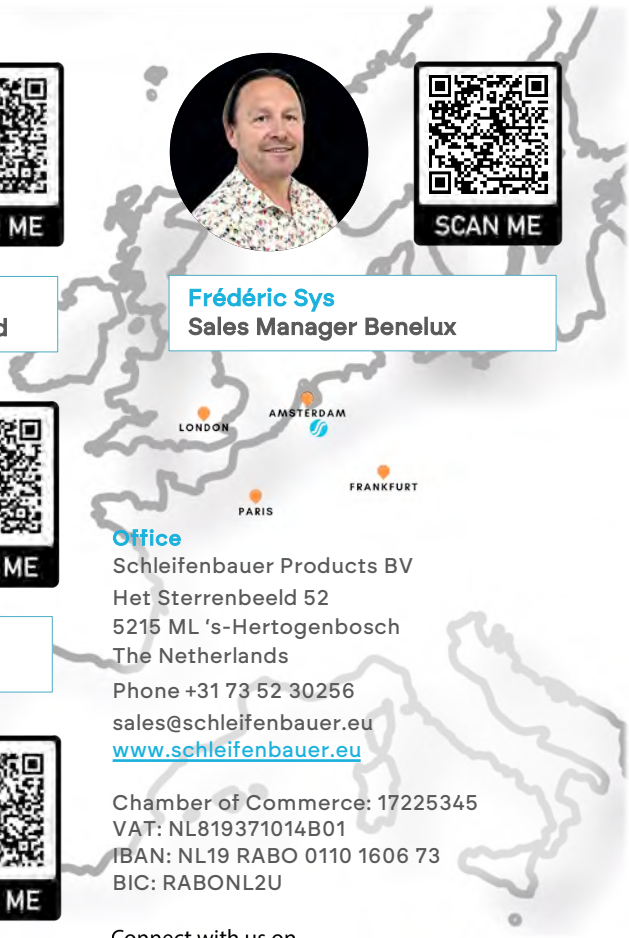
Anneke van Aken
Account Manager DACH



Bastiaan de Haan
Inside Sales



Dami Munter
Marketing Manager



Office
Schleifenbauer Products BV
Het Sterrenbeeld 52
5215 ML 's-Hertogenbosch
The Netherlands
Phone +31 73 52 30256
sales@schleifenbauer.eu
www.schleifenbauer.eu
Chamber of Commerce: 17225345
VAT: NL819371014B01
IBAN: NL19 RABO 0110 1606 73
BIC: RABONL2U

Connect with us on
LinkedIn
linkedin.com/company/schleifenbauer/



SCHLEIFENBAUER
CUSTOM PDU & POWER MANAGEMENT

POWER DISTRIBUTION UNITS



CONFIGURABLE



NO MOQ



1 DAY QUOTE



TAILOR FREE



MADE IN NL



FAST DELIVERY



Your PDU®





SCHWABER

net

sensor data bus

CE

100W
SCHWABER-PS
P=100 230V 50Hz
Max. load 100W
with 2000mAh
Superkondensator

SCHWABER

SCH