



# SCHLEIFENBAUER

CUSTOM PDU & POWER MANAGEMENT



## Catalogue PDU Brackets

2023

## INTRODUCTION

At Schleifenbauer, we understand that every project has its own unique requirements, especially when it comes to the installation of a Power Distribution Unit (PDU) within a server rack. Standard solutions often fall short, which is why we offer not only customized PDUs but also tailor-made mounting brackets.

Our solution starts with you, the customer. Your project has specific demands, and we believe your PDU should seamlessly integrate into your server rack. This is why we go beyond the standard approach and provide custom mounting brackets.

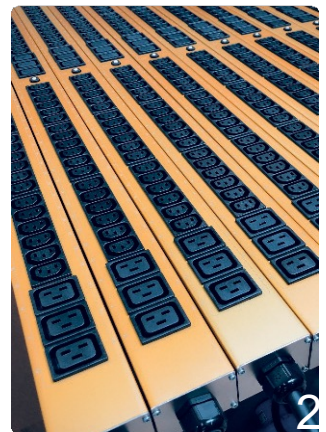
The benefits of our custom mounting brackets are numerous. First and foremost, they ensure that your PDU is placed in the server rack in the most efficient way, maximizing valuable space and optimizing your equipment. Additionally, they contribute to the overall safety and stability of your system.

Our mounting brackets are crafted with the same commitment to quality as our PDUs. They are precisely tailored to your specific needs and designed to fit your server rack perfectly.



With Schleifenbauer, you are guaranteed a comprehensive solution that adapts to your project, rather than the other way around. We strive for perfection in customization, and our tailor-made mounting brackets are just one example of our dedication to your success.

If you're seeking ultimate flexibility and efficiency in PDU installation within your server rack, our custom mounting brackets are at your service. Contact us today to discuss your project needs, and we'll provide the perfect tailor-made solution. Your project, our expertise!



## Vertical or Horizontal PDUs

Whether your requirements involve vertical or horizontal configurations, Schleifenbauer has a comprehensive range of solutions to accommodate your specific needs. Our commitment to versatility ensures that we can address various mounting scenarios seamlessly.

You'll discover several illustrative examples within the pages of our brochure, showcasing the versatility and adaptability of our mounting brackets. However, we understand that each project may have unique demands, and off-the-shelf solutions may not always fit perfectly. In such cases, we encourage you to get in touch with us without hesitation.

Our dedicated team is ready and willing to collaborate with you to understand your specific requirements and constraints. If the ideal brackets for your server rack project aren't readily available, we are well-prepared to craft tailor-made solutions that precisely match your needs and server cabinet specifications. At Schleifenbauer, we take pride in our ability to provide custom solutions to ensure the seamless integration of your PDU, optimizing both space and efficiency.



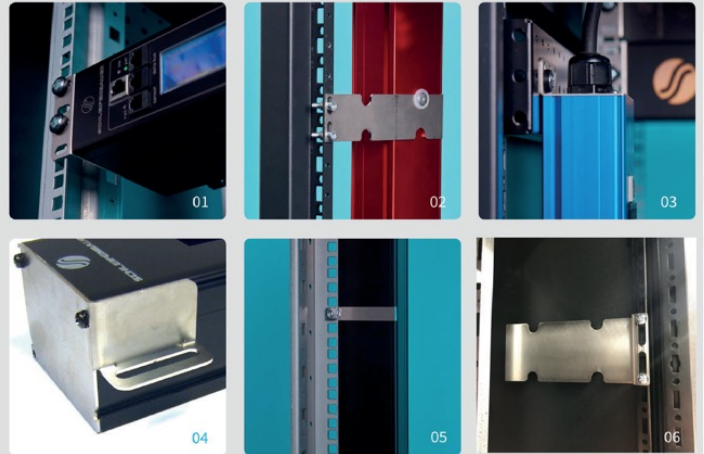
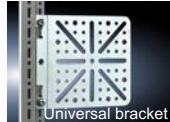
## T Standard Mounting

To ensure the precise installation of a Power Distribution Unit (PDU) within a server rack, specialized expertise is essential. Schleifenbauer possesses in-house expertise in this domain and provides a wide range of mounting options suitable for all types of server cabinets, regardless of their type or manufacturer. Whether you prefer mounting brackets or a 'toolless' installation method, we have you covered.

Our team is well-equipped to assist you in achieving your ideal mounting solution. Reach out to us and let us know your preferred mounting method, and we'll work closely with you to ensure a successful installation.

### SPECIFICATIONS:

- . Independent of server rack manufacturer
- . Independent of type of server rack
- . "Toolless mount" option
- . Option for custom mounting

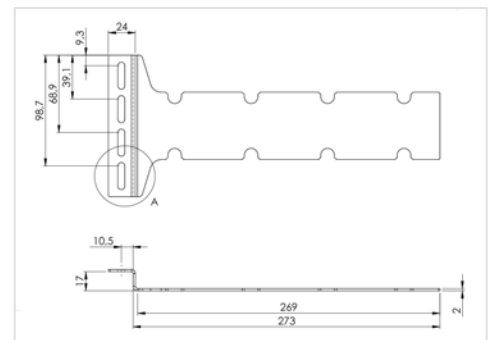
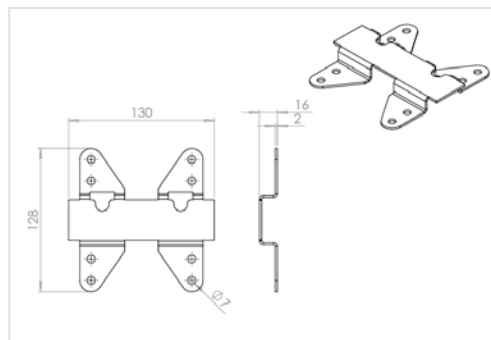
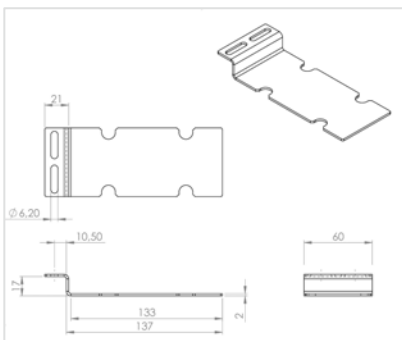
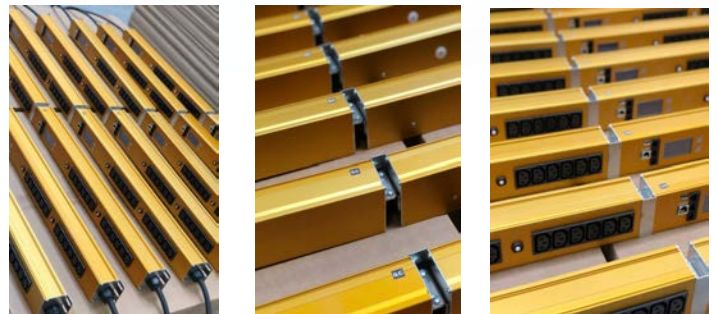


#### Options

1. Horizontal 19 inches
2. Toolless mount
3. Table mount
4. Recessed
5. Profile clamps
6. Toolless mount 90 degree angle

## Custom-made mounting brackets

Schleifenbauer has a suitable bracket for almost every situation. If the desired suspension for your PDU is not among them, we can make a custom-made bracket for you. Together with you, we will then look for the best solution. The advantage of the right bracket is that it creates space and efficiency in the server rack. We also have a coupling bracket to attach two PDUs together to form a solid unit. For any project, you can contact our sales team.



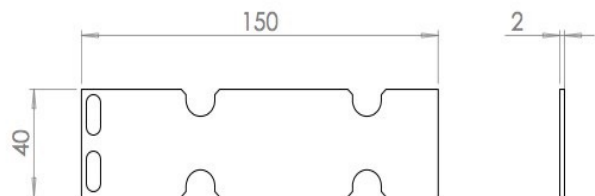
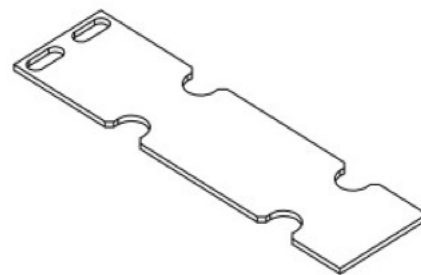
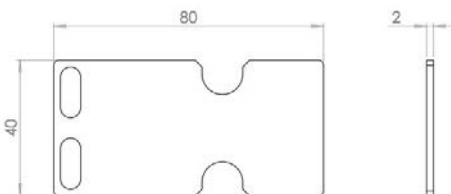
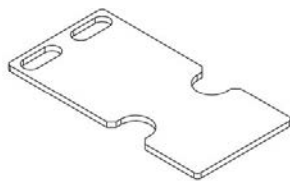
## Custom PDU bracket

Bracket type for toolless mount



Description:  
Toolless mount bracket straight for 1 PDU  
Item code: 123870

Description:  
Toolless mount bracket straight for 2 PDU's  
Item code: 123827



## Custom PDU bracket

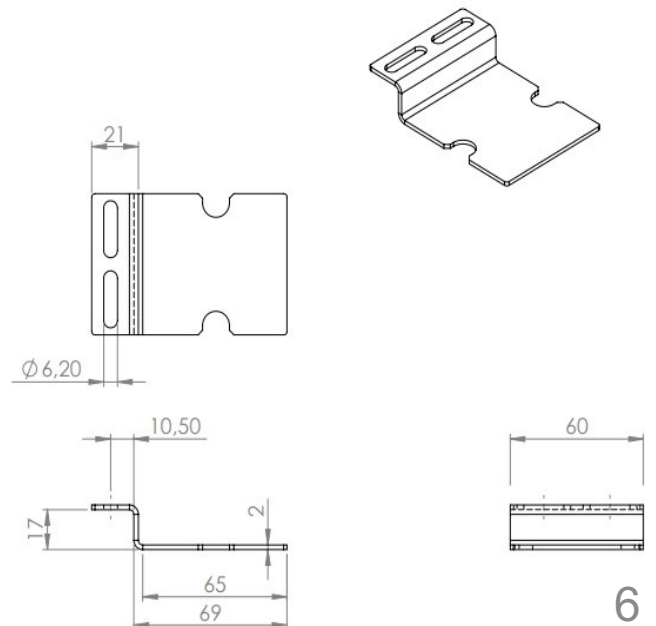
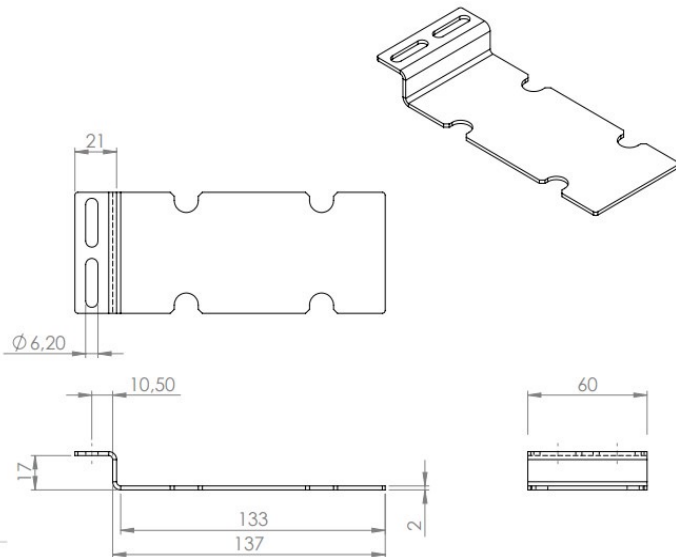
Bracket type for toolless mount



Description:  
Toolless Mount bracket Nexpan/VX IT (2xPDU)  
Item code: 124302



Description:  
Toolless Mount bracket Nexpan/VX IT (1xPDU)  
Item code: 124582



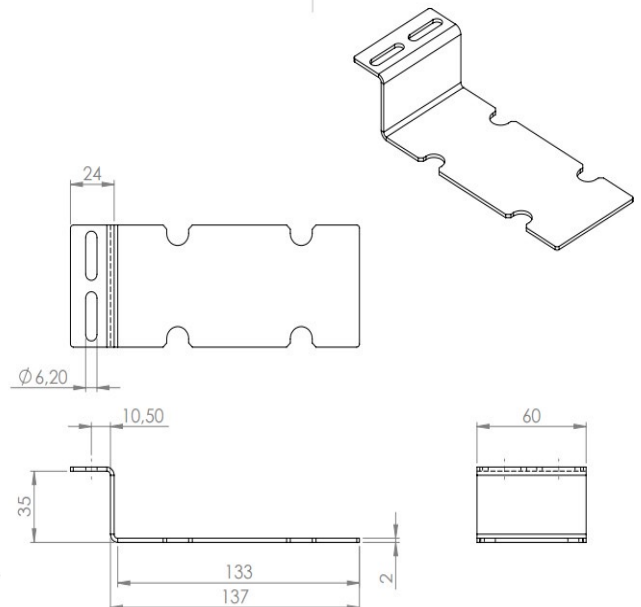
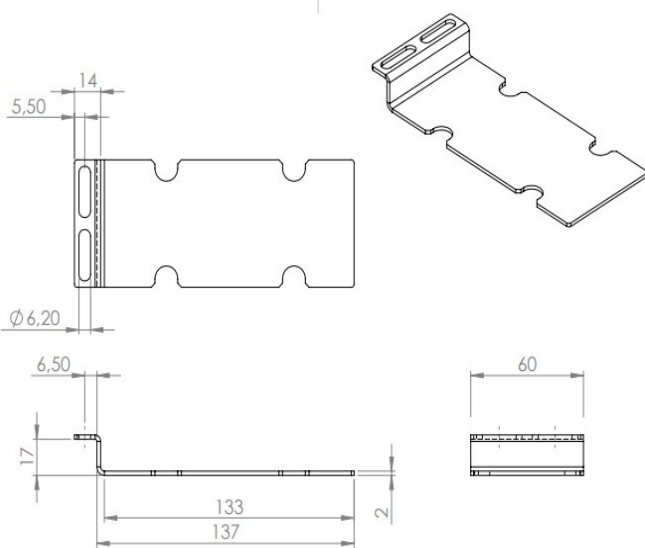
# Custom PDU bracket

Bracket type for toolless mount



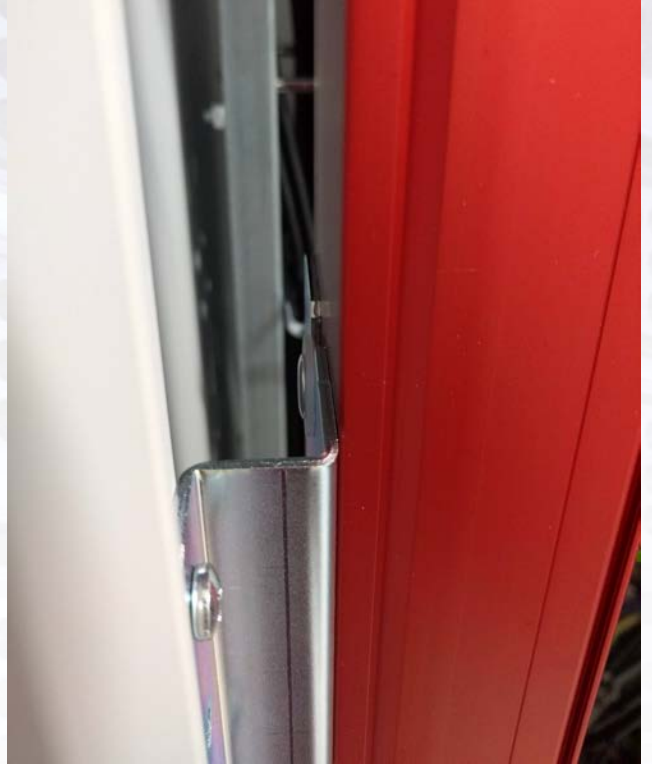
Description:  
Bracket toollessmount deepened 2 PDU's (Rittal TS8)  
Item code: 124538

Description:  
Bracket toolless mount dubble 90° extend (2 PDU's)  
Item code: 124527



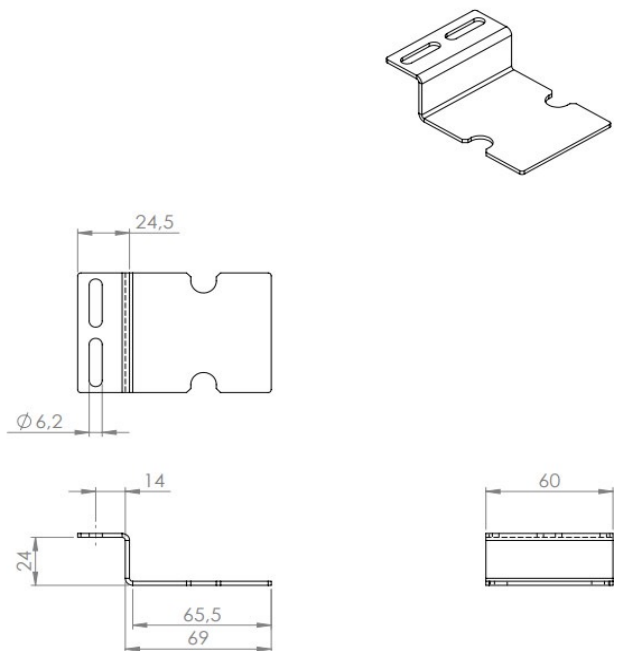
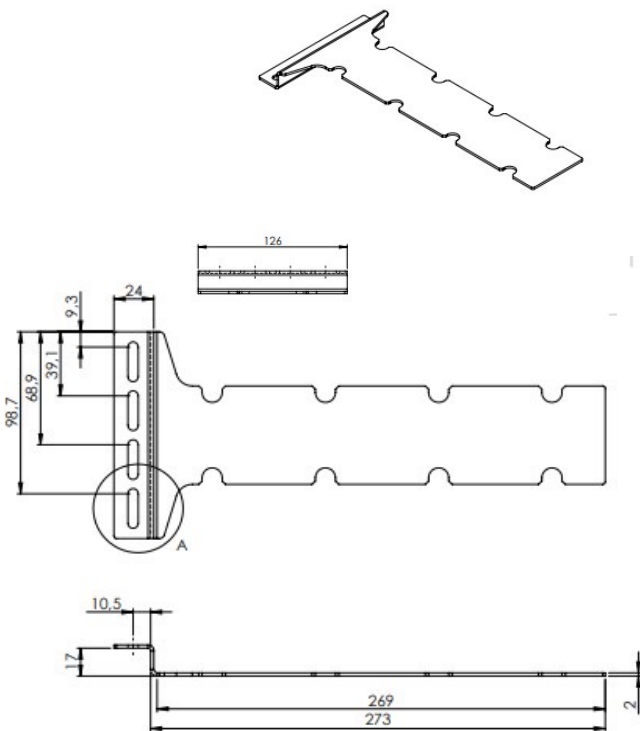
# Custom PDU bracket

Bracket type for toolless mount



Description:  
Bracket toolless mount double 90° 4 PDU's  
Item code: 124575

Description:  
Toolless Mount bracket Panduit FlexFusion(1xPDU)  
Item code: 124608



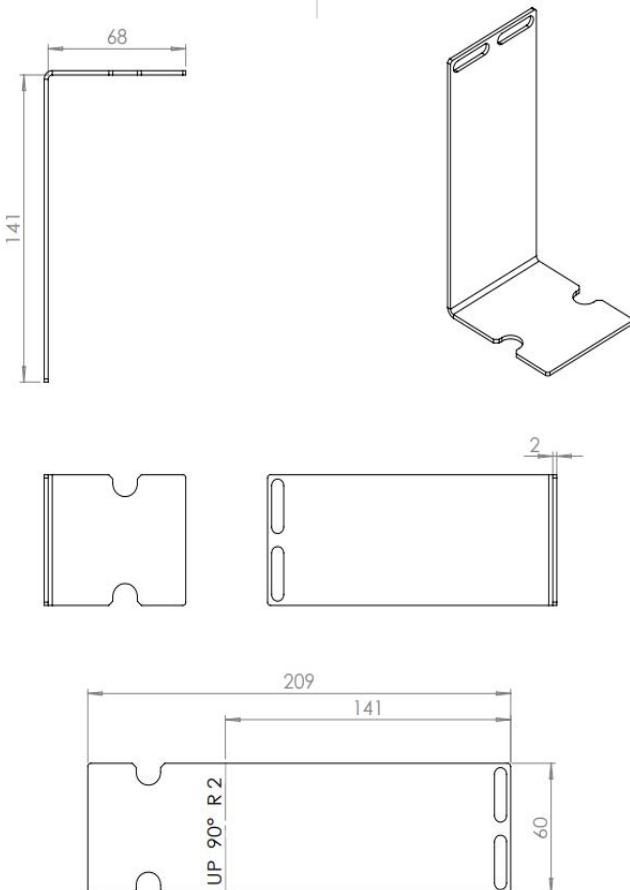


# Custom PDU bracket

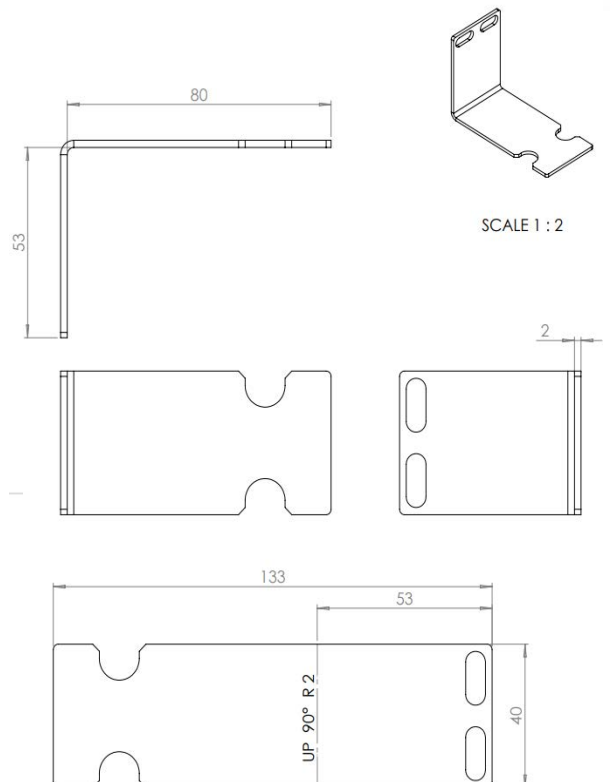
Bracket type for toolless mount



Description:  
Toolless mount bracket angled 141 mm  
Item code: 124454



Description:  
Toolless mount bracket angled 53 mm  
Item code: 124476



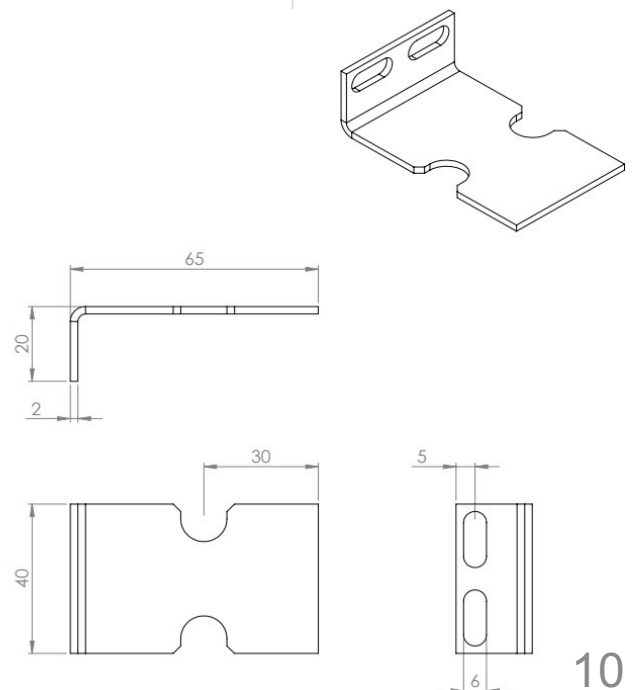
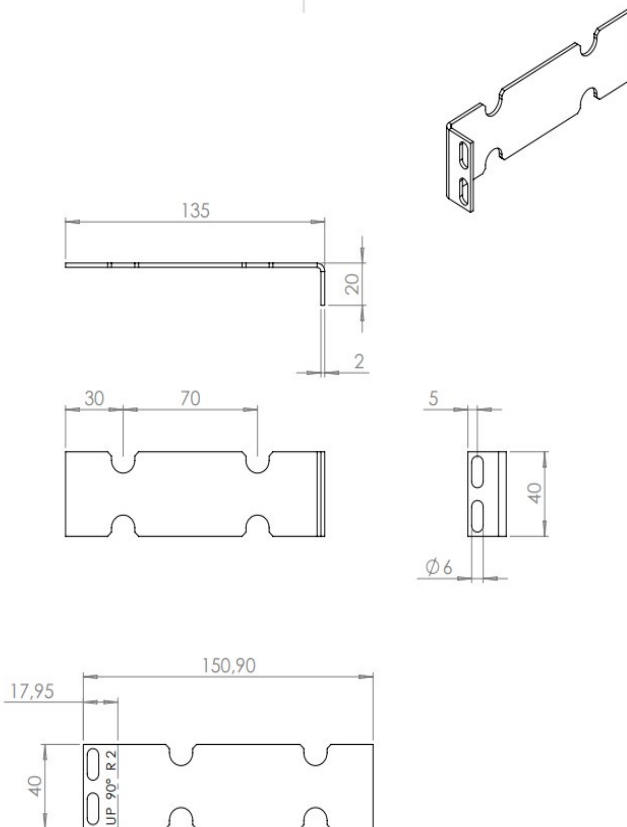
# Custom PDU bracket

Bracket type for toolless mount



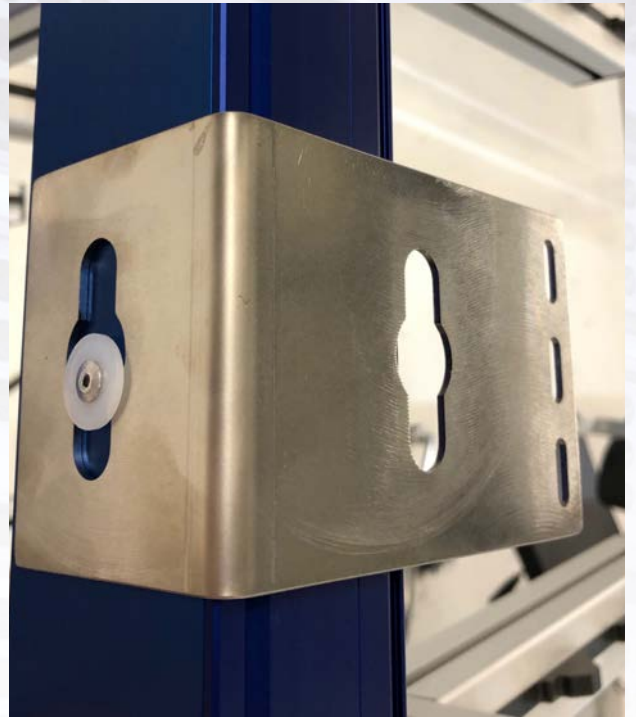
Description:  
Toolless mount bracket angled 2 PDUs  
Item code: 124497

Description:  
Toolless mount bracket angled 1 PDU  
Item code: 124584



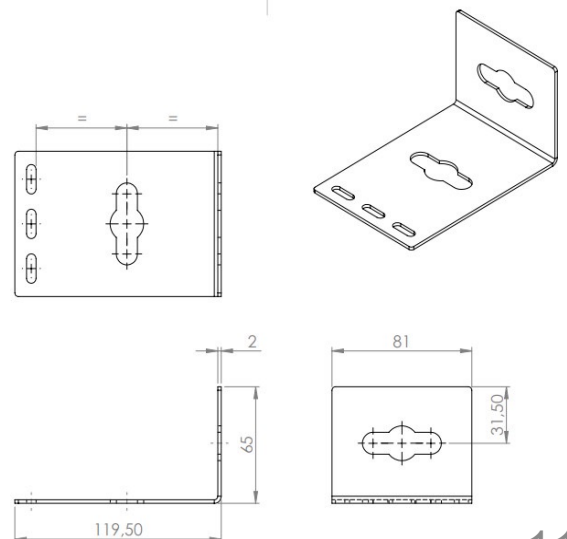
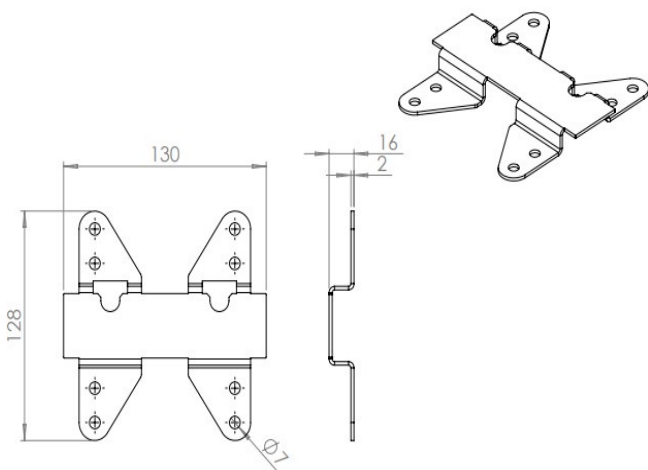
## Custom PDU bracket

Bracket type for toolless mount



Description:  
Toolless mount APC rack (2 PDU's)  
Item code: 124485

Description:  
Toolless mount bracket elongated hole  
Item code: 124511

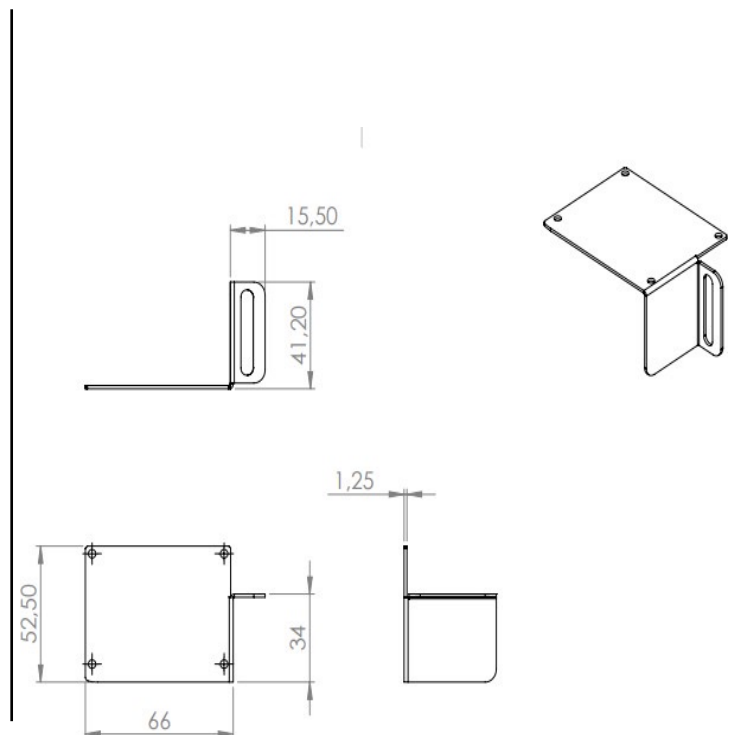
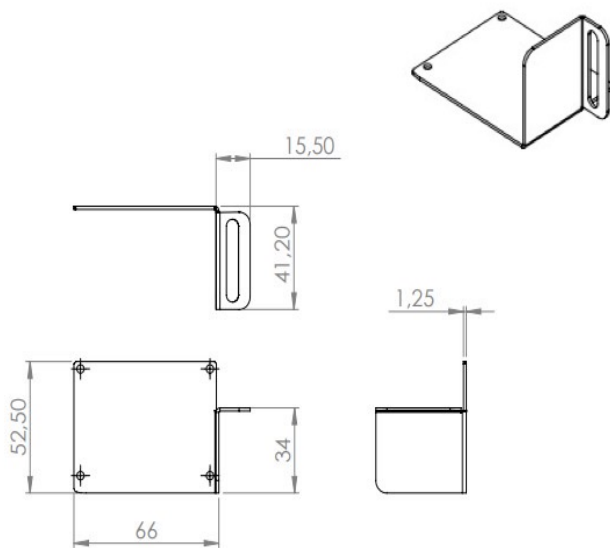


## Custom PDU bracket



Description:  
Rittal TS8 bracket left top + right bottom  
Item code: 124330

Description:  
Rittal TS8 bracket right top + left bottom  
Item code: 124330

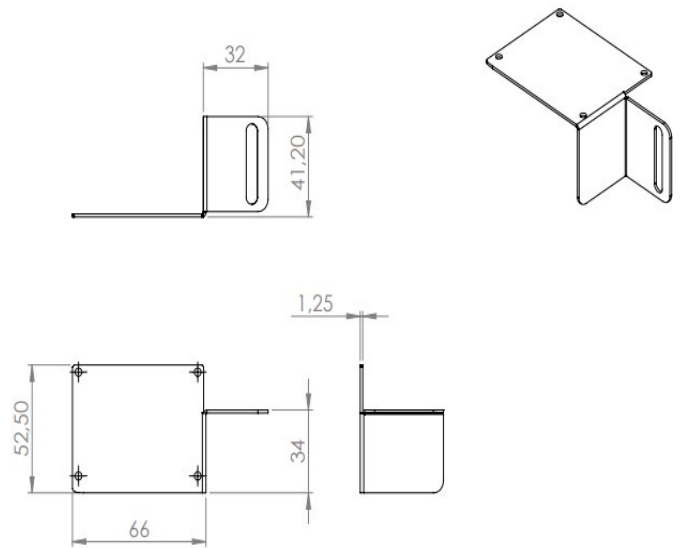
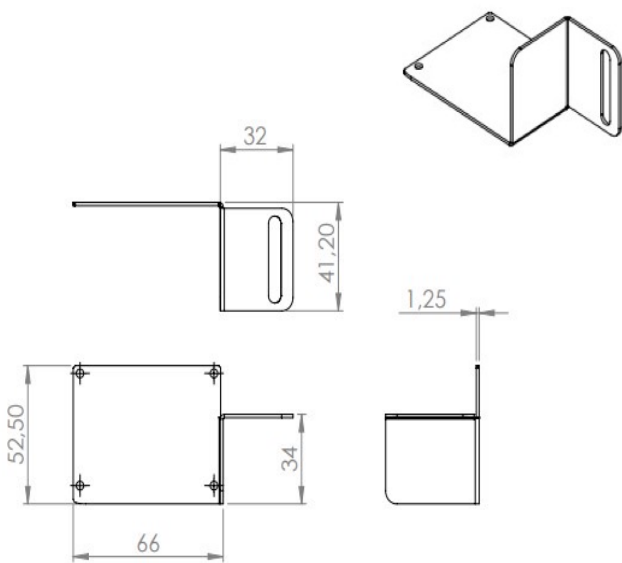


## Custom PDU bracket



Description:  
Rittal TS8 bracket left top + right bottom extended  
Item code: 124444

Description:  
Rittal TS8 bracket right top + left bottom extended  
Item code: 124445



## Custom PDU bracket

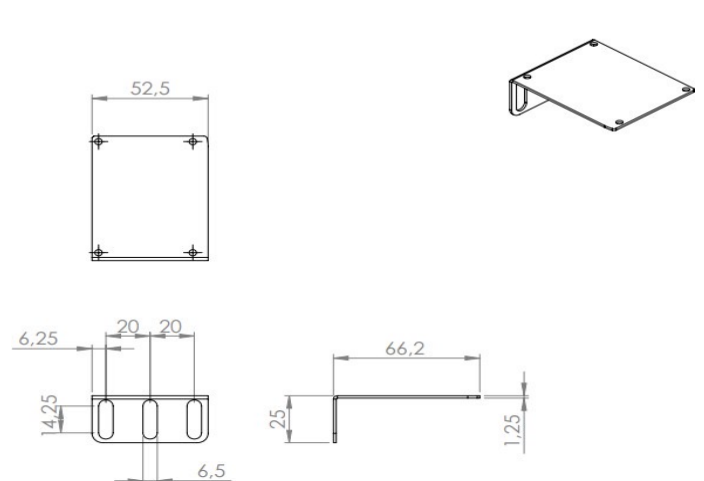
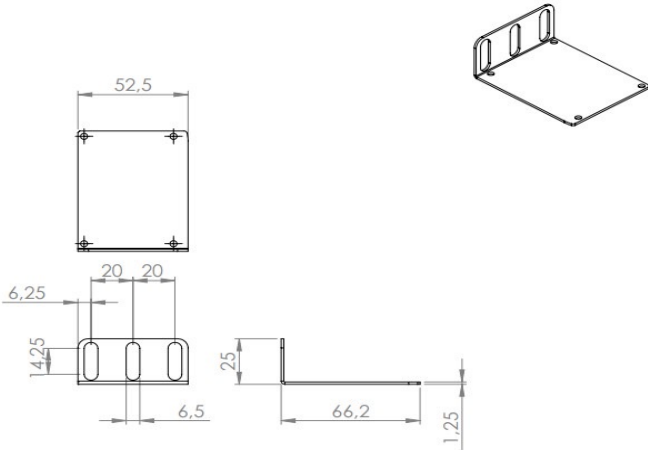


**Description:**

Eindschot table mount 90° top left + bottom right  
Item code: 124544

**Description:**

Side cover table mount 90° left bottom + right top  
Item code: 124546



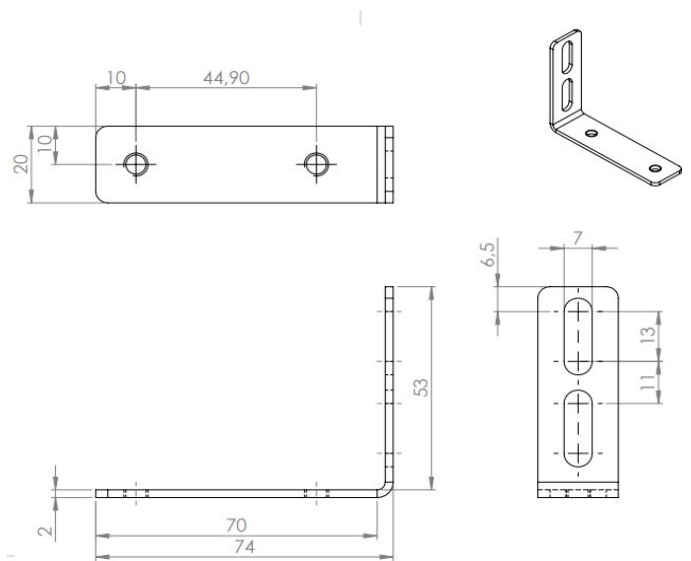
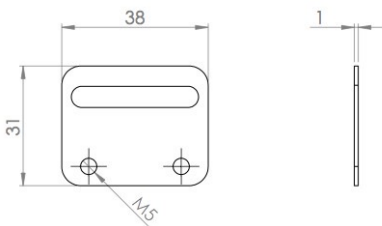
## Custom PDU bracket



Bracket that can be bolted onto a PDU with tablemount brackets, which then rotates the PDU 90°

Description:  
Spacer bracket  
Item code: 123782

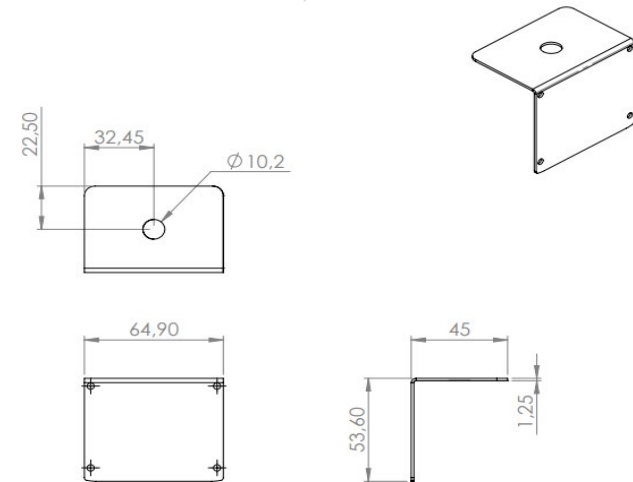
Description:  
Bracket for table mount 90° orientation  
Item code: 124524



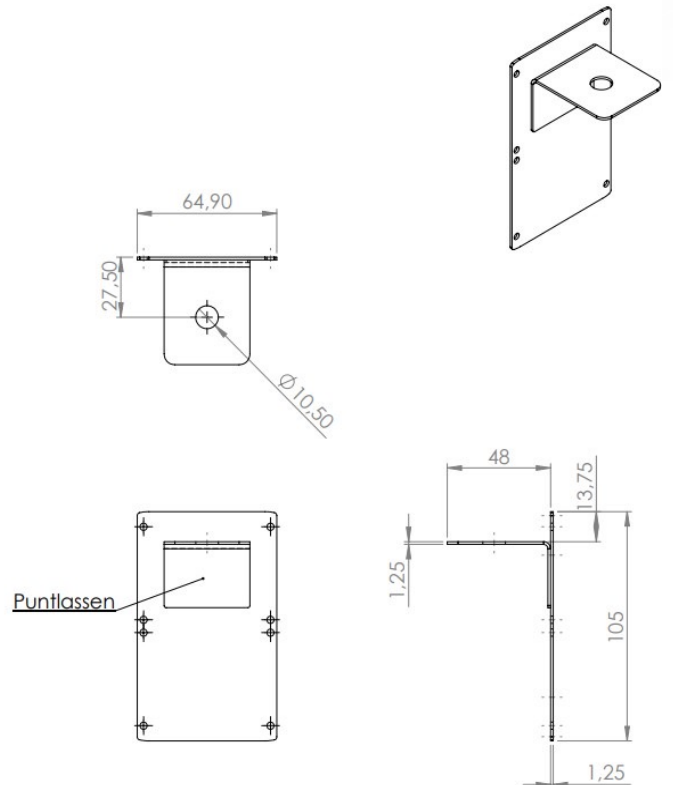
# Custom PDU bracket



Description:  
Side cover installation frame (single)  
Item code: 124552



Description:  
Side cover installation frame (dubbel)  
Item code: 124553



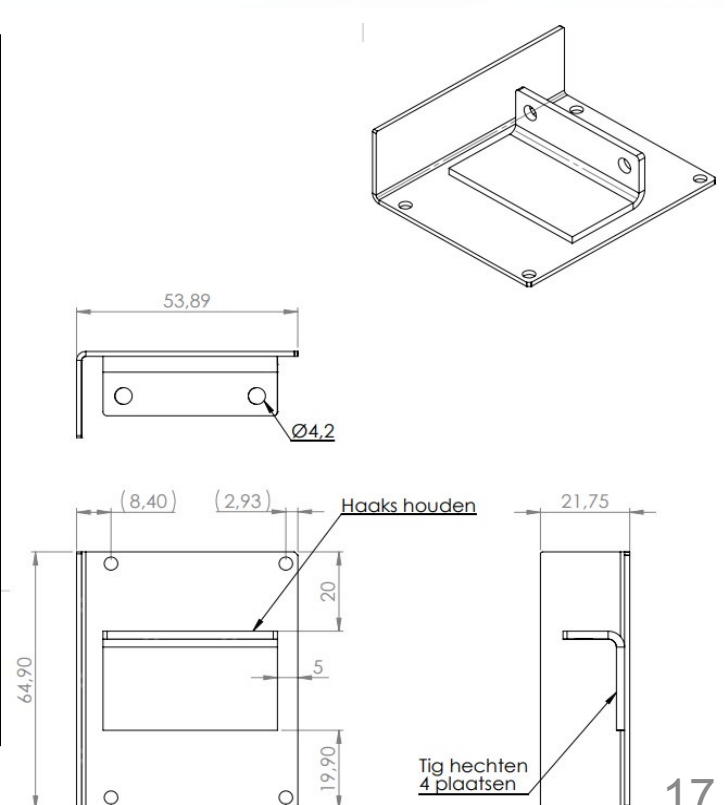
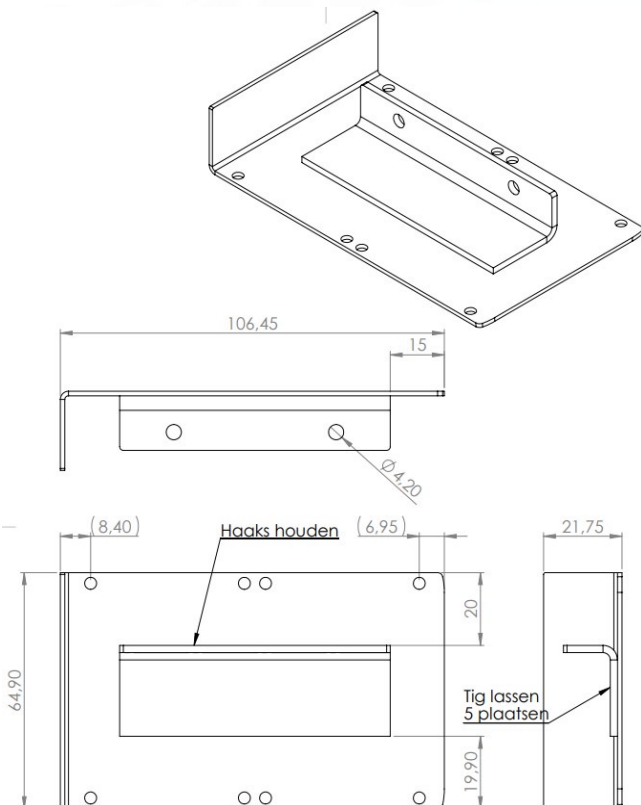


## Custom PDU bracket



Description:  
Half 19 inch torque bracket left (dubble profile)  
Item code: 124557

Description:  
Half 19 inch torque bracket left (single profile)  
Item code: 124559

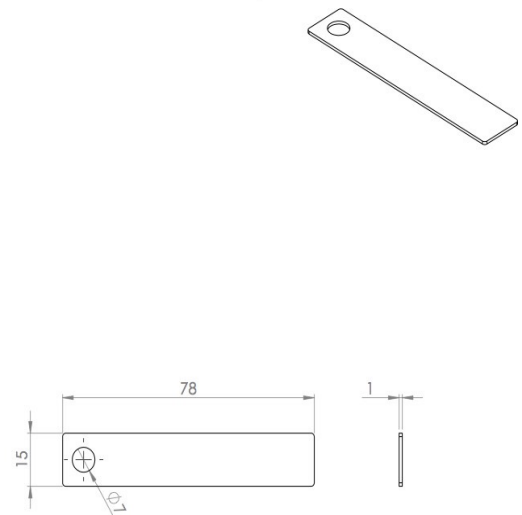
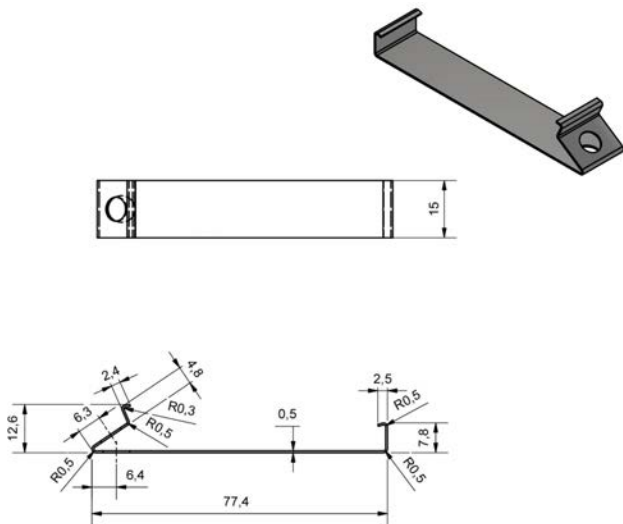


## Custom PDU bracket



Description:  
SS mounting brackets for vertical mounting  
Item code: 123839

Description:  
Flat stainless steel washer for mounting bracket  
Item code: 123645



## Rack unit calculator

The "Rack Unit" is a standard measurement for server height; one rack unit (U) is 1.75 inches.



Rack Units	Height (in)	Height (ft)	Height (cm)
1U	1.75"	0.15'	4.4 cm
2U	3.5"	0.29'	8.9 cm
3U	5.25"	0.44'	13.3 cm
4U	7"	0.58'	17.8 cm
5U	8.75"	0.73'	22.2 cm
6U	10.5"	0.88'	26.7 cm
7U	12.25"	1.02'	31.1 cm
8U	14"	1.17'	35.6 cm
9U	15.75"	1.31'	40 cm
10U	17.5"	1.46'	44.5 cm
11U	19.25"	1.6'	48.9 cm
12U	21"	1.75'	53.3 cm
13U	22.75"	1.9'	57.8 cm
14U	24.5"	2.04'	62.2 cm
15U	26.25"	2.19'	66.7 cm
16U	28"	2.33'	71.1 cm
17U	29.75"	2.48'	75.6 cm
18U	31.5"	2.63'	80 cm
19U	33.25"	2.77'	84.5 cm
20U	35"	2.92'	88.9 cm
21U	36.75"	3.06'	93.3 cm
22U	38.5"	3.21'	97.8 cm
23U	40.25"	3.35'	102.2 cm
24U	42"	3.5'	106.7 cm
25U	43.75"	3.65'	111.1 cm
26U	45.5"	3.79'	115.6 cm
27U	47.25"	3.94'	120 cm
28U	49"	4.08'	124.5 cm
29U	50.75"	4.23'	128.9 cm
30U	52.5"	4.38'	133.4 cm
31U	54.25"	4.52'	137.8 cm
32U	56"	4.67'	142.2 cm
33U	57.75"	4.81'	146.7 cm
34U	59.5"	4.96'	151.1 cm
35U	61.25"	5.1'	155.6 cm
36U	63"	5.25'	160 cm
37U	64.75"	5.4'	164.5 cm
38U	66.5"	5.54'	168.9 cm
39U	68.25"	5.69'	173.4 cm
40U	70"	5.83'	177.8 cm
41U	71.75"	5.98'	182.2 cm
42U	73.5"	6.13'	186.7 cm
43U	75.25"	6.27'	191.1 cm
44U	77"	6.42'	195.6 cm
45U	78.75"	6.56'	200 cm
46U	80.5"	6.71'	204.5 cm
47U	82.25"	6.85'	208.9 cm
48U	84"	7'	213.4 cm
Rack Units	Height (in)	Height (ft)	Height (cm)

## Sales Team



Tycho Matheusen / Account Manager / Sales Benelux



Amanda Wagenaar / Account Manager / Sales Benelux



Peter Döring / Account Manager / Sales DACH



Anneke van Aken / Account Manager / Sales DACH



Jos Janssen / Head of Sales & Marketing / International sales

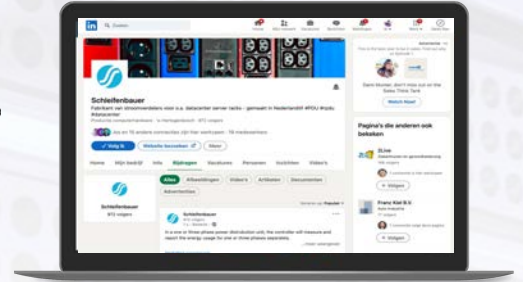


Dami Munter / Team Lead Sales & Marketing / International sales

Connect with us on



[linkedin.com/company/schleifenbauer/](https://linkedin.com/company/schleifenbauer/)



### Production facility & Office

Schleifenbauer Products BV

Het Sterrenbeeld 52  
5215 ML 's-Hertogenbosch  
The Netherlands

Phone +31 73 52 30256

[sales@schleifenbauer.eu](mailto:sales@schleifenbauer.eu)

[www.schleifenbauer.eu](http://www.schleifenbauer.eu)

Chamber of Commerce: 17225345

VAT: NL819371014B01

IBAN: NL19 RABO 0110 1606 73

BIC: RABONL2U



Scan the QR code for the sales person's direct contact information. You can then save the contact information directly to your smartphone with the download button.



## Contact

Schleifenbauer Products BV  
Het Sterrenbeeld 52  
5215 ML 's-Hertogenbosch  
The Netherlands  
Phone +31 73 52 30256  
[info@schleifenbauer.eu](mailto:info@schleifenbauer.eu)  
[www.schleifenbauer.eu](http://www.schleifenbauer.eu)

